



## Modular Cooking Range Line 700XP 3 Door Refrigerated Base (60HZ)

ITEM # \_\_\_\_\_

MODEL # \_\_\_\_\_

NAME # \_\_\_\_\_

SIS # \_\_\_\_\_

AIA # \_\_\_\_\_



371373 (E7TTCPOMKN)

Refrigerated base with 3 doors, -2/+10° C - R290 (Brazil, Saudi Arabia)

### Short Form Specification

**Item No.** \_\_\_\_\_

Built-in refrigerator compressor unit. Operating temperature range from -2°C to 10°C. To be installed below 700XP top units. To be delivered with 50 mm height adjustable feet. Exterior panels in stainless steel with Scotch Brite finish. One piece pressed work top in 1.5 mm thick stainless steel. Right-angled side edges to allow flush-fitting junction between units.

### Main Features

- Unit can be easily installed below other 700 line top models.
- Adjustable temperature range from -2 °C to +10 °C to suit meat, fish and dairy storage requirements.
- Anti-tilt runners accept GN 1/1 containers.
- Forced air circulation for rapid cooling and an even temperature distribution.
- Right angled side edges eliminate gaps and possible dirt traps between units.
- Designed for modular installation into the cooking block.

### Construction

- Exterior panels in Stainless steel with Scotch Brite finish to meet the highest hygiene standards.
- Built-in compressor to suit operating conditions.
- Access to all components from the front.
- Unit delivered with 150 mm height adjustable feet in Stainless steel. Feet can be extended up to 250 mm.

### Sustainability

- CFC and HCFC free (highly ecological refrigerant type: R290).

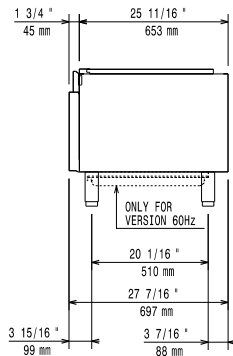
### Optional Accessories

- Flanged feet kit PNC 206136
- Frontal kicking strip for concrete installation, 1600mm PNC 206152
- Frontal kicking strip, 1600mm (not for refr-freezer base) PNC 206179
- Kit 4 feet for concrete installation (not for 900 line free standing grill) PNC 206210
- 2 panels for service duct for single "top on base" installation PNC 206248
- Pair of side kicking strips PNC 206249
- Pair of side kicking strips for concrete installation PNC 206265
- Base support for feet or wheels - 1600mm (700/900) PNC 206369
- Kit 6 wheels - 3 swivelling with brake PNC 206432
- 2 side covering panels for free standing appliances PNC 216000

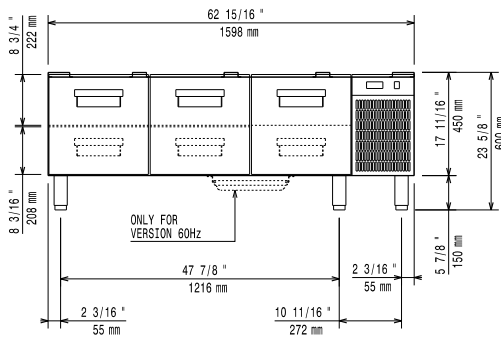
APPROVAL: \_\_\_\_\_



Front

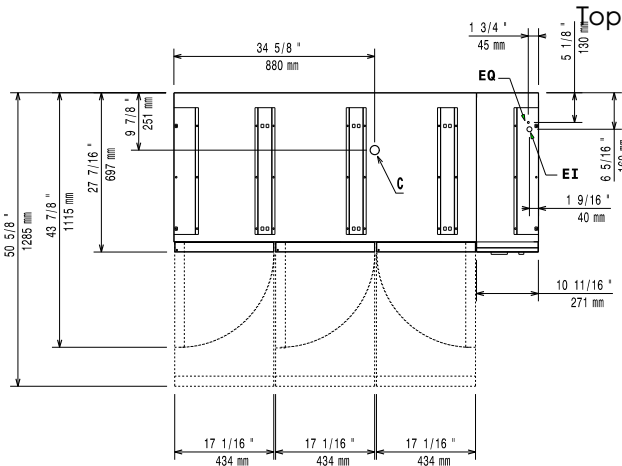


Side



D = Drain  
 EI = Electrical inlet (power)

Top



## Electric

<b>Supply voltage:</b>	<b>371373 (E7TTCPCOMKN)</b>	220-230 V/1N ph/60 Hz
<b>Electrical power max.:</b>		0.4 kW
<b>Total Watts:</b>		0.4 kW

## Key Information:

<b>Gross capacity:</b>	240 lt
<b>External dimensions, Width:</b>	1600 mm
<b>External dimensions, Depth:</b>	700 mm
<b>External dimensions, Height:</b>	600 mm
<b>Net weight:</b>	110 kg
<b>Shipping weight:</b>	116 kg
<b>Shipping height:</b>	820 mm
<b>Shipping width:</b>	800 mm
<b>Shipping depth:</b>	1700 mm
<b>Shipping volume:</b>	1.12 m <sup>3</sup>

## Sustainability

<b>Refrigerant type:</b>	R290
<b>Refrigerant weight:</b>	85 g